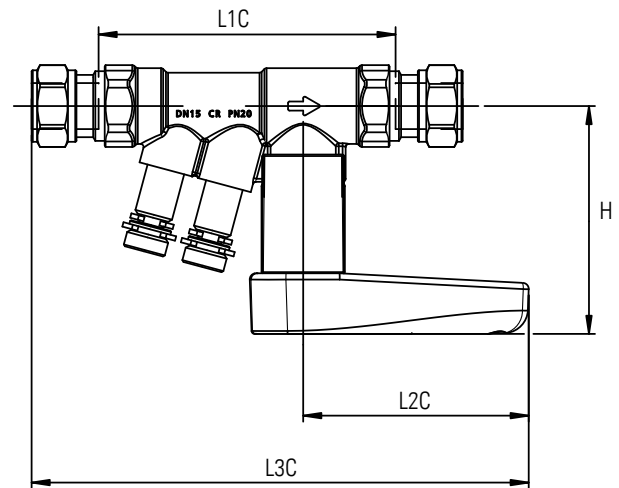
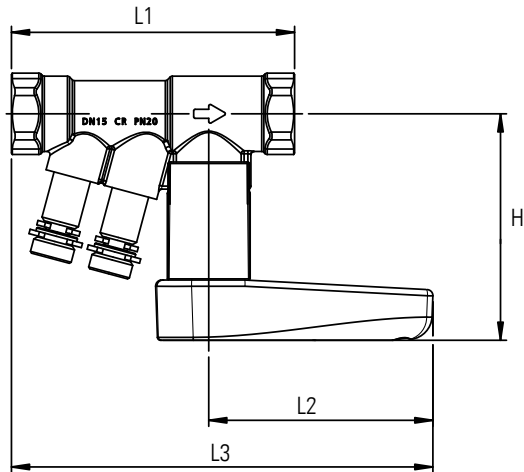




BALLOREX VENTURI STATIC BALANCING VALVE

SELECTION

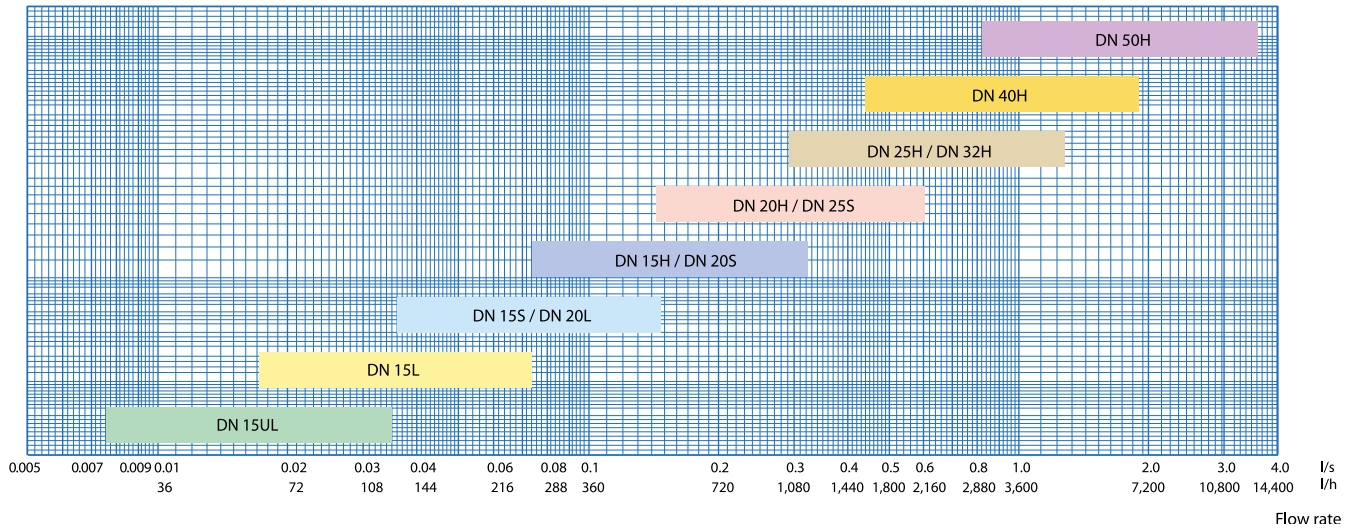


Size, features and material

| DN | H | L1 | L1C | L2 | L3 | L3C |
|-----|-----|-----|-----|-----|-----|-----|
| 15L | 76 | 94 | 99 | 75 | 100 | 164 |
| 20 | 79 | 100 | 105 | 75 | 144 | 170 |
| 25 | 83 | 112 | 118 | 75 | 150 | 177 |
| 32 | 109 | 130 | 135 | 122 | 208 | 241 |
| 40 | 113 | 140 | 149 | 122 | 213 | 253 |
| 50 | 120 | 156 | 167 | 122 | 221 | 265 |

| | |
|------------------------|---------------------------------|
| Max. temperature | 120°C |
| Min. temperature | -20°C |
| Max. pressure | 25 bar |
| Valve housing material | DR Brass CW602N CuZn36Pb2As |
| Ball & needle material | DR Brass CW602N (chrome plated) |
| Valve handle material | Polyamide (PA6.6 30%GF) |

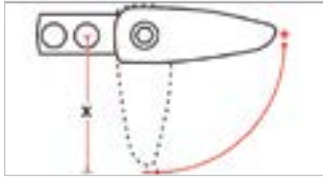
QUICK SELECTION CHART



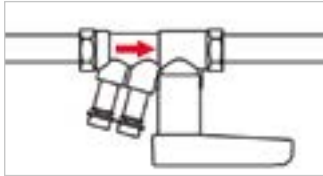
INSTALLATION AND SETTING



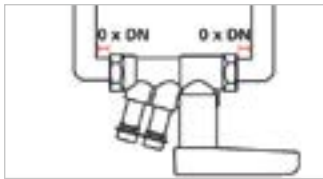
- Ballorex can be oriented 360° around the pipe axis.



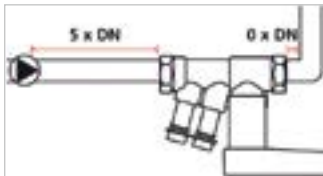
- Installation space required to ensure 90° isolation.



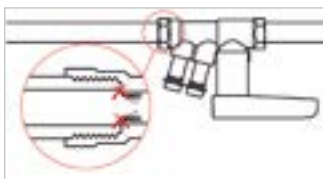
- Make sure the dimensions of the balancing valve correspond to the design flow.
- An arrow on Ballorex Venturi housing indicates the flow direction to be respected.



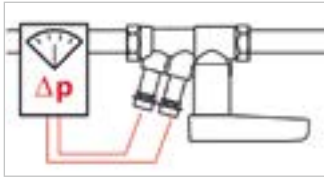
- 0x DN straight piping required.
- Bends, flexible hoses, etc. can be mounted directly on the valve.



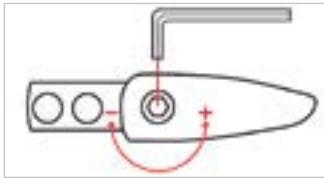
- 5 x DN straight piping is required when the valve is mounted directly after the pump.



- Make sure loose hemp is not hanging into the pipe.



- Connect the flow meter and select the valve. Enter the Venturi valve Kvm-value. The Kvm-value is printed on the handle.



- Setting the valve is easily done with an Allen key. Adjust the valve until the required flow is displayed.